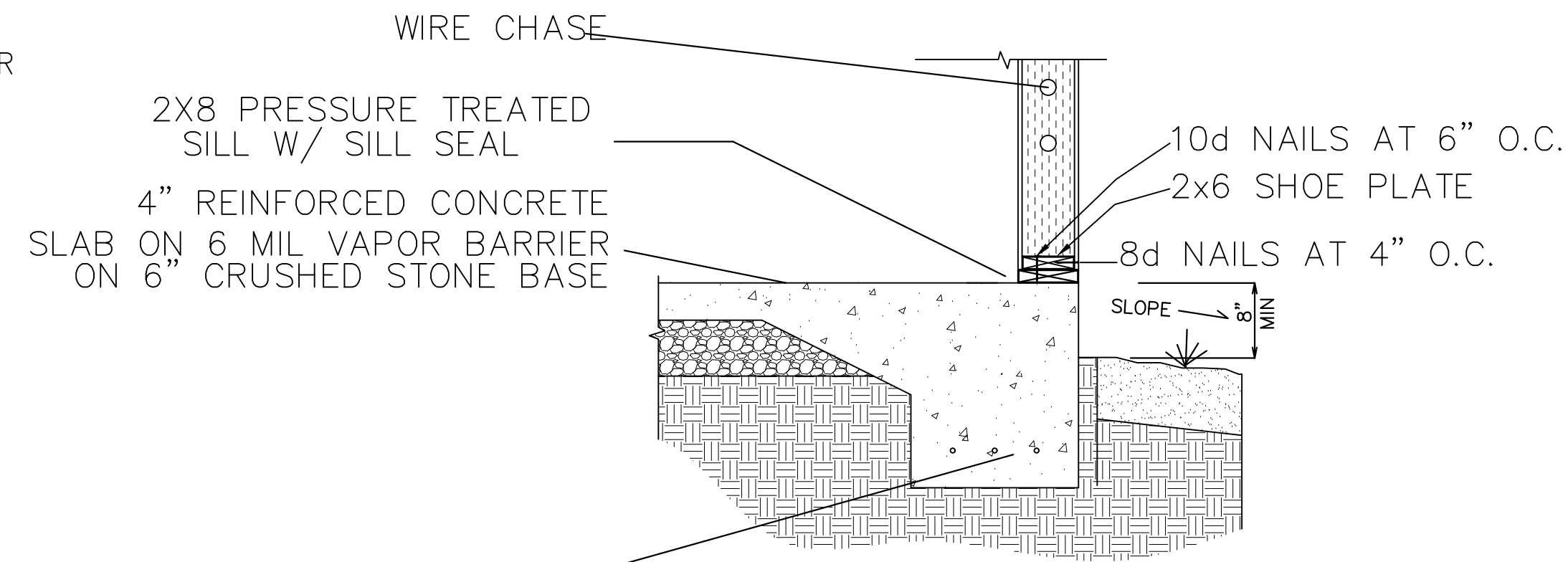


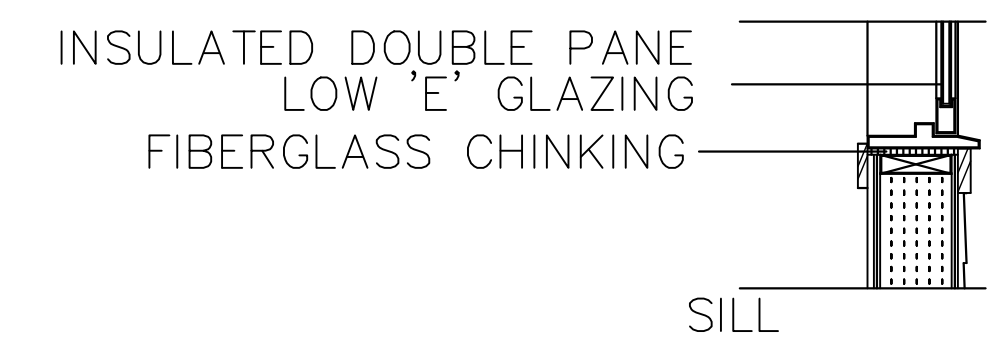
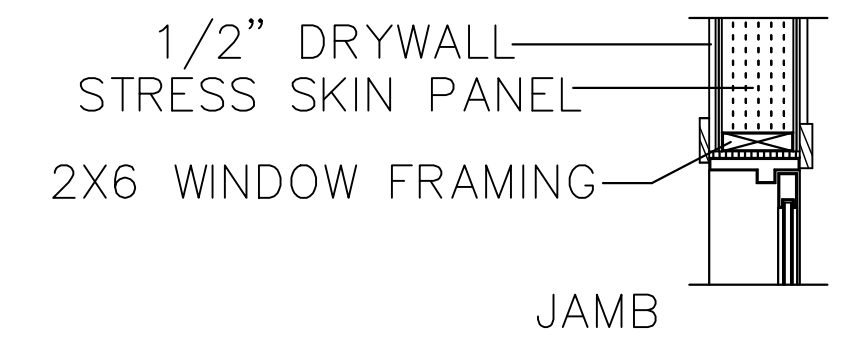
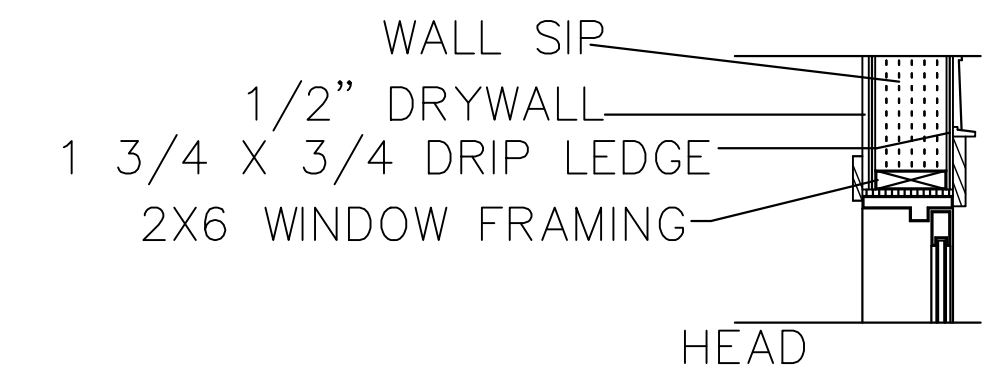
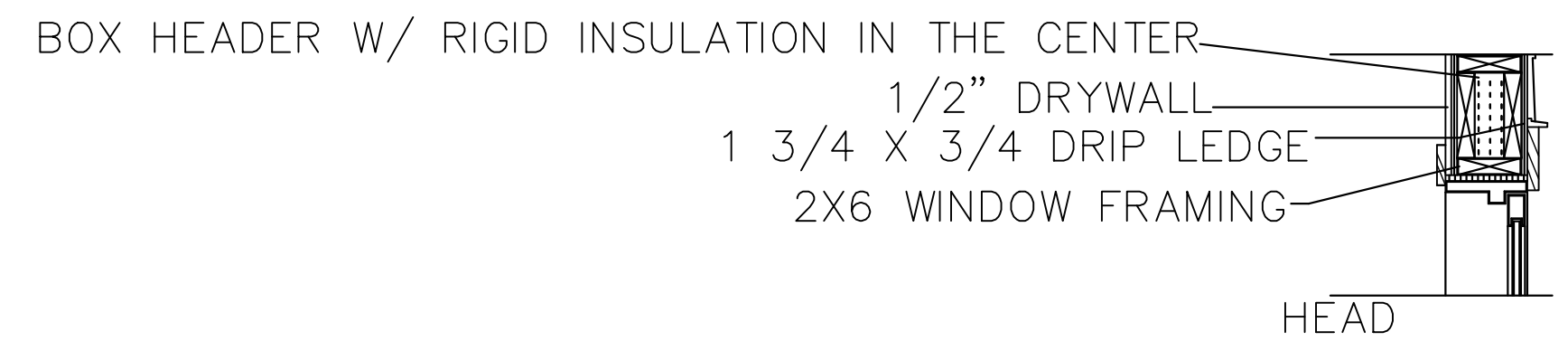
TYPICAL CORNER



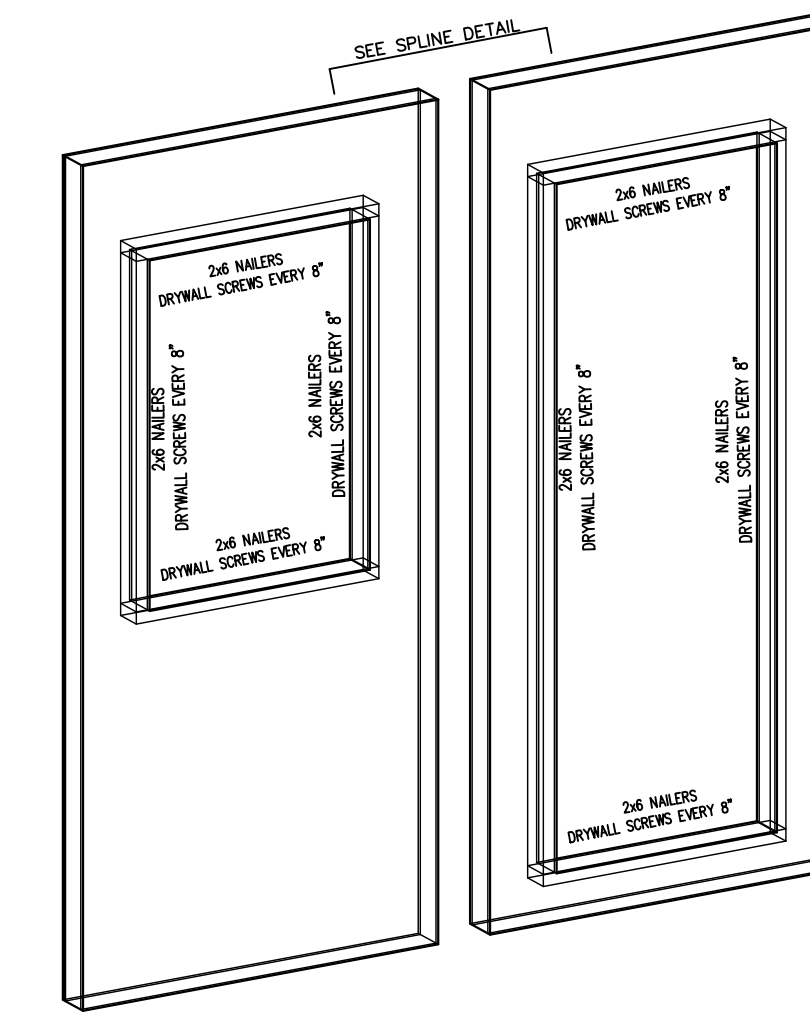
FLOATING SLAB DETAIL

SCALE: NTS

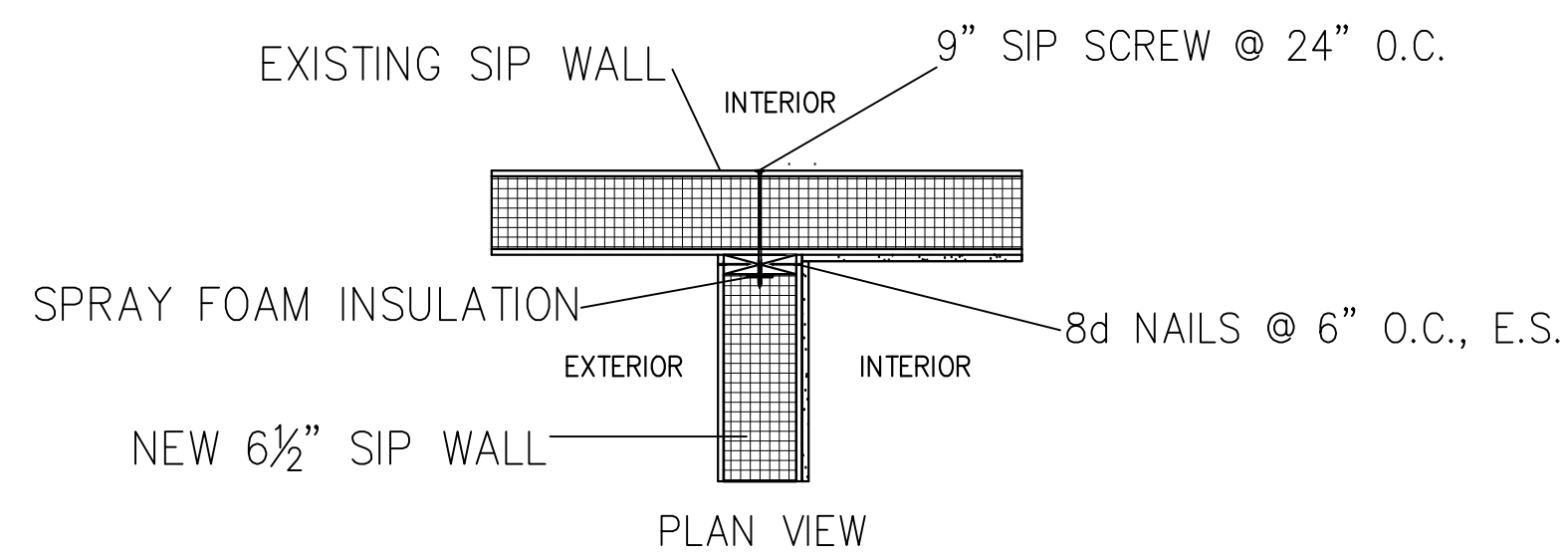
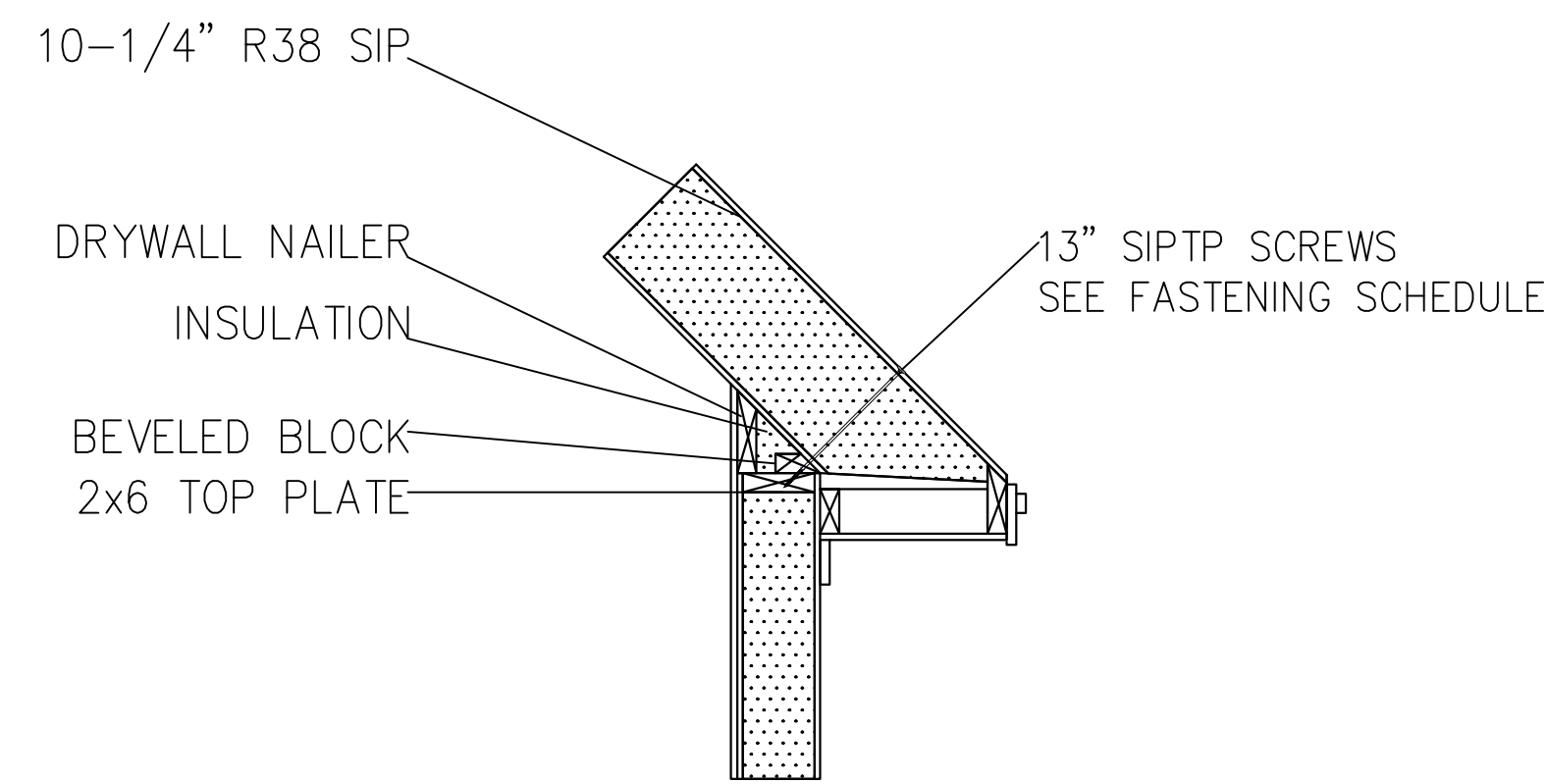
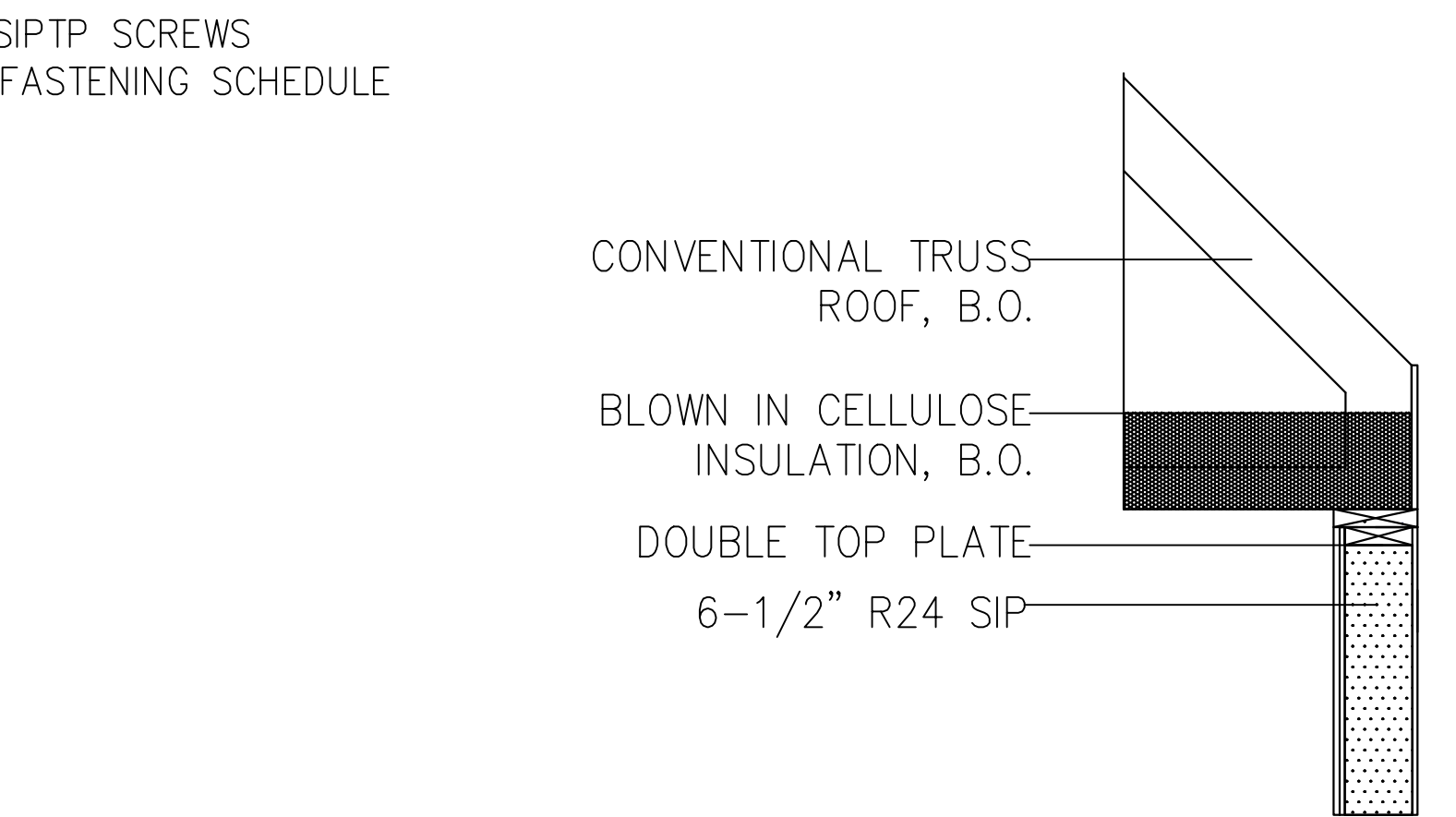
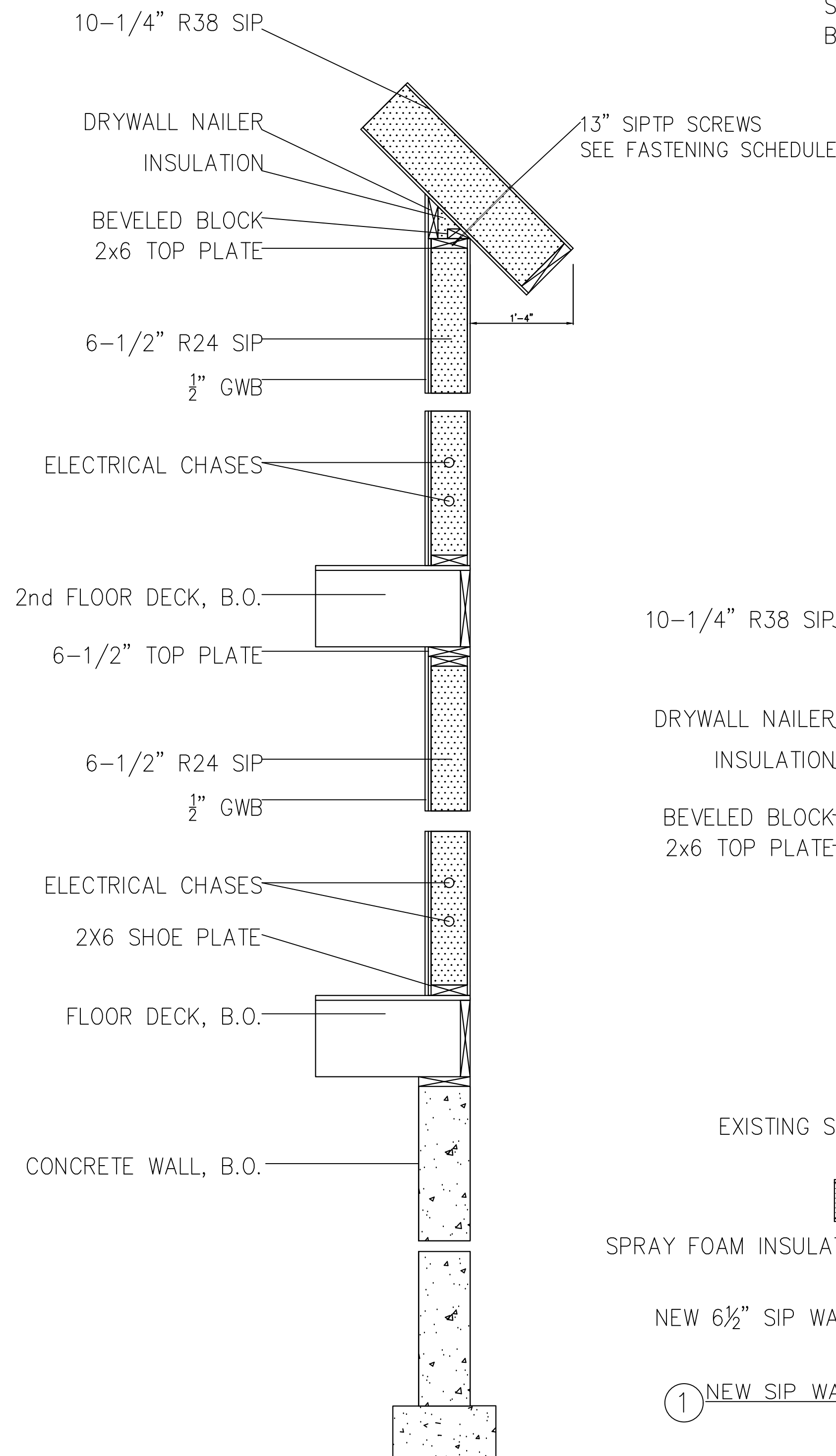
STEEL REINFORCEMENT AS REQ'D BY SITE CONDITIONS/DESIGN.



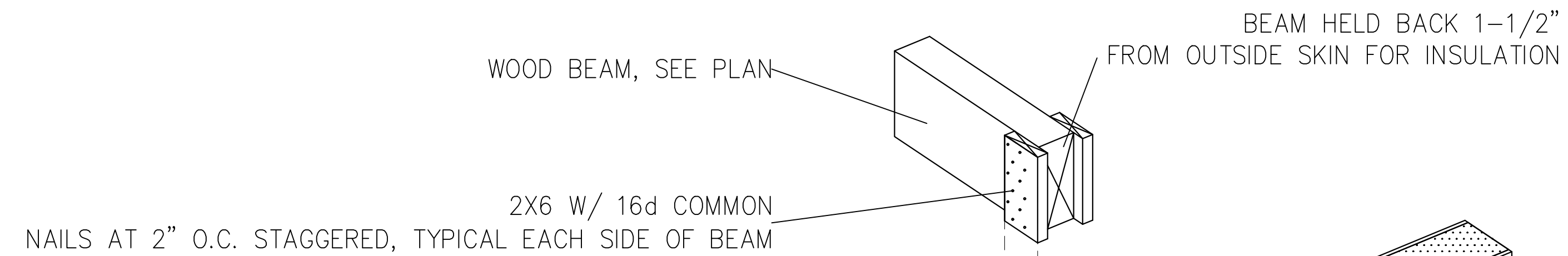
WINDOW DETAILS



TYPICAL ROUGH OPENINGS

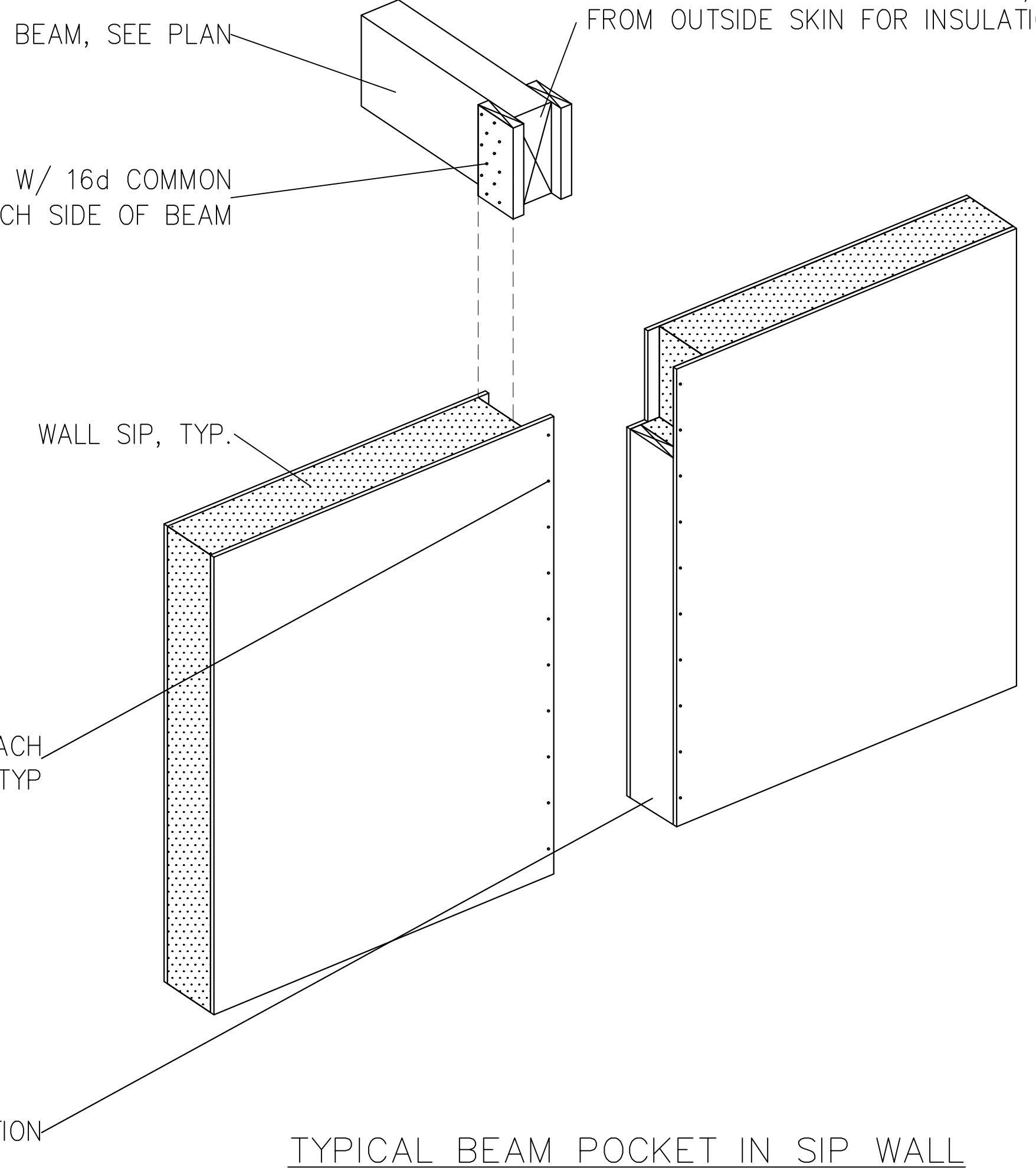


① NEW SIP WALL CONNECTION TO EXISTING SIP WALL



FASTEN SKINS TO BOTH EDGES OF EACH 2X6 BLOCK WITH 8d NAILS AT 2" O.C., TYP

POST IN WALL SIP, SEE WALL ELEVATION



DRAWN BY: KPM

REVISION # 1

STANDARD STRUCTURAL DETAILS

DATE:
AUG 26, 2022

SCALE:
NTS

SHEET: OF X

P6

FILE:
XXXX