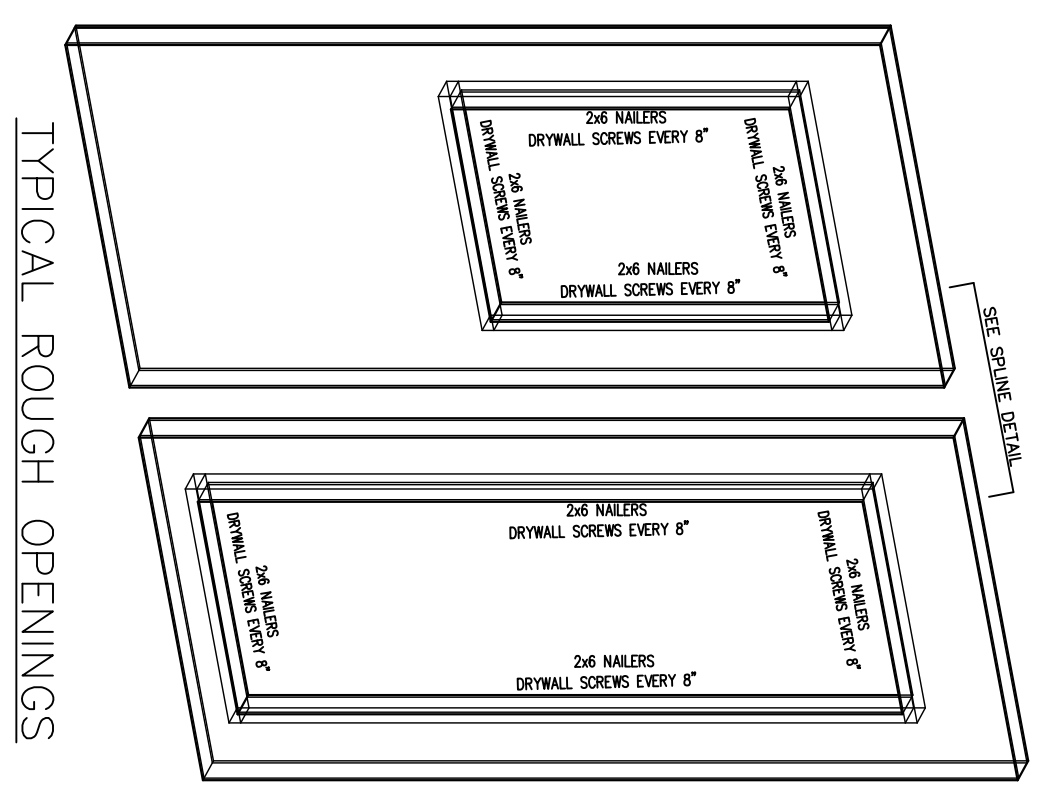
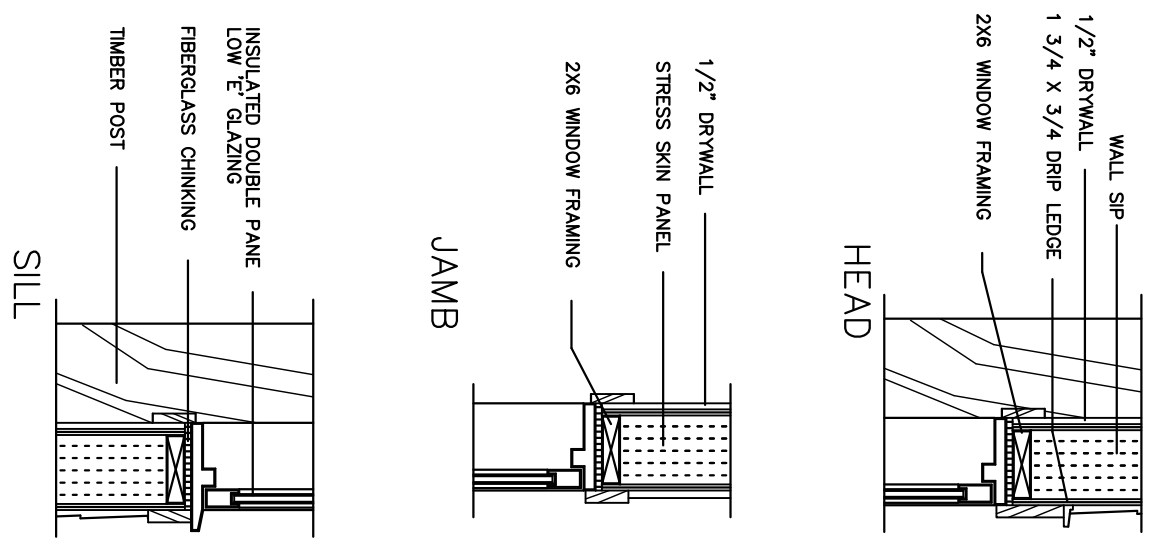


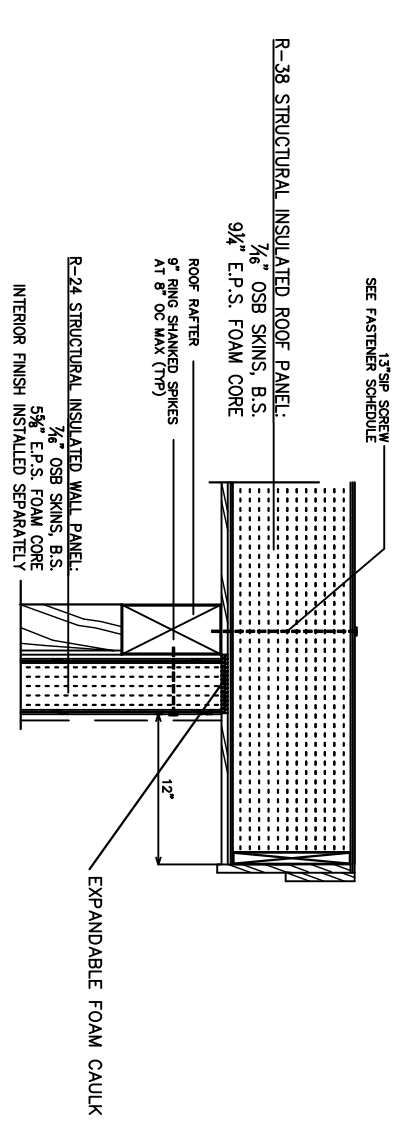
TYPICAL CORNER DETAIL
DETAIL #02



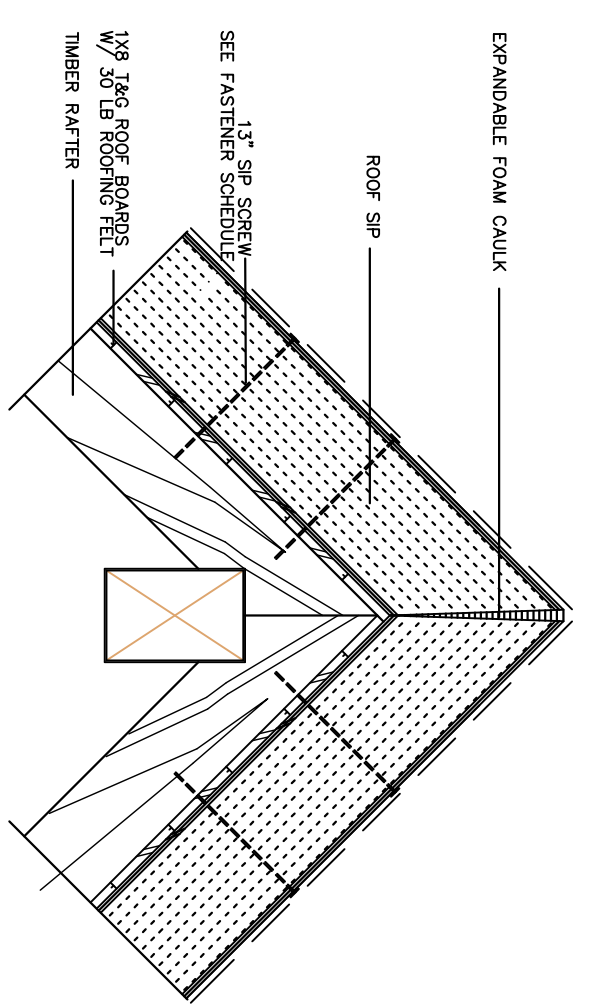
TYPICAL ROUGH OPENINGS
DETAIL #05



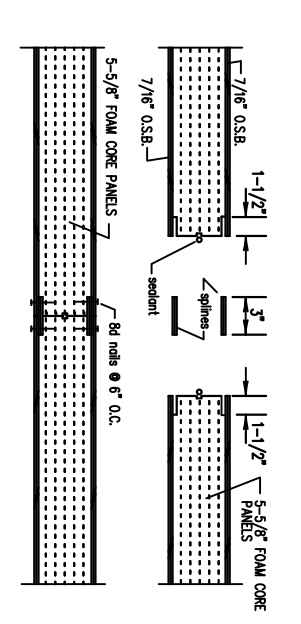
WINDOW DETAILS



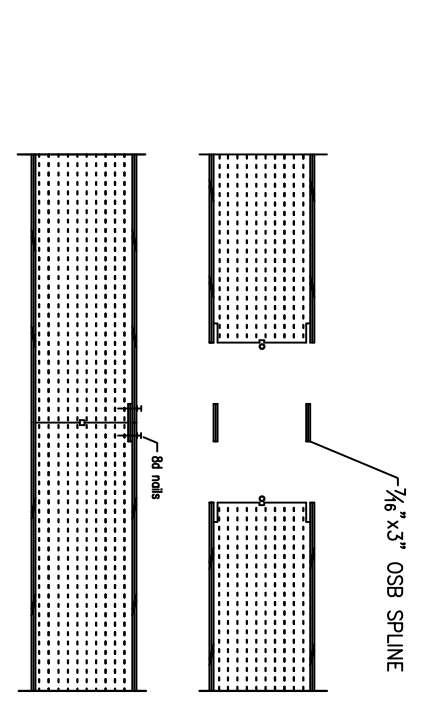
GABLE DETAIL
DETAIL #03



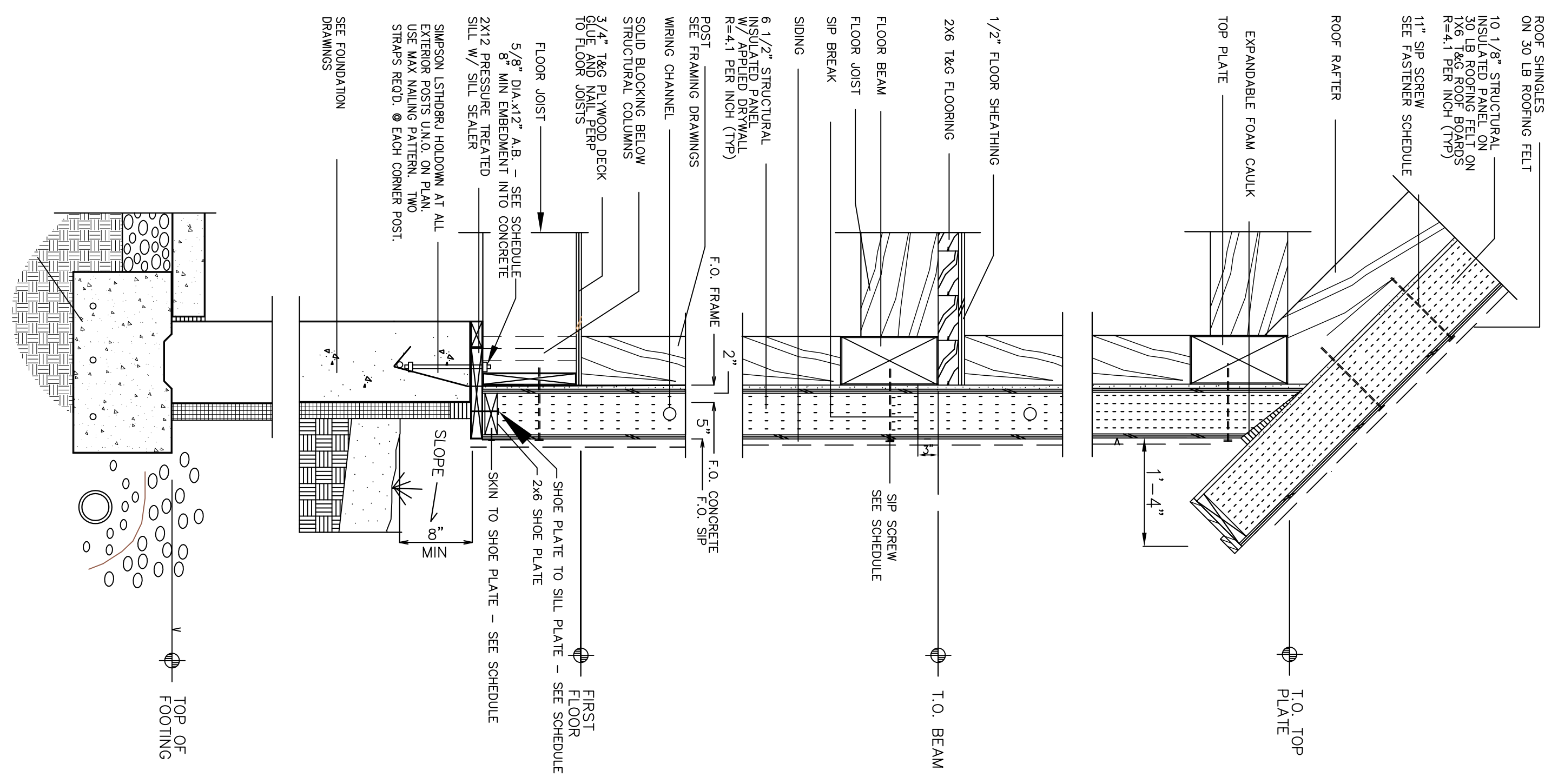
RIDGE DETAIL
DETAIL #06



WALL SIP SPLINE CONNECTION
DETAIL #04



ROOF PANEL DOUBLE SPLINE CONNECTION



TYPICAL HOUSE EXTERIOR WALL SECTION
DETAIL #01